

Original
design



Vac
100-277

5 Years
Warranty



FA8



R17D

LM-80

CRI
>80

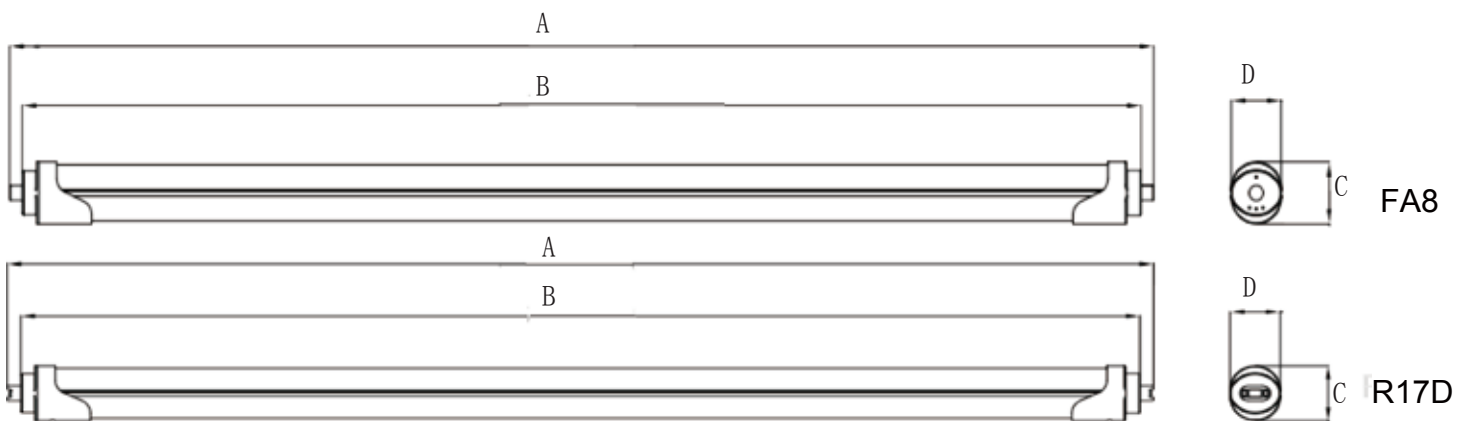
PF
≥0.95

A smarter way to light up your business

Product Features

1. ETL, CETL, DLC listed.
2. Single pin FA8 or R17D lamp base optional.
3. Lumen efficiency: 130LM/W
4. Input voltage: 100-277VAC without ballast.
5. Aluminum housing for excellent heat dissipation.
6. Bypass ballast, Double ended or single ended power optional.
7. Clear or frosted PC cover optional.
8. Five years' warranty.

Product Dimension



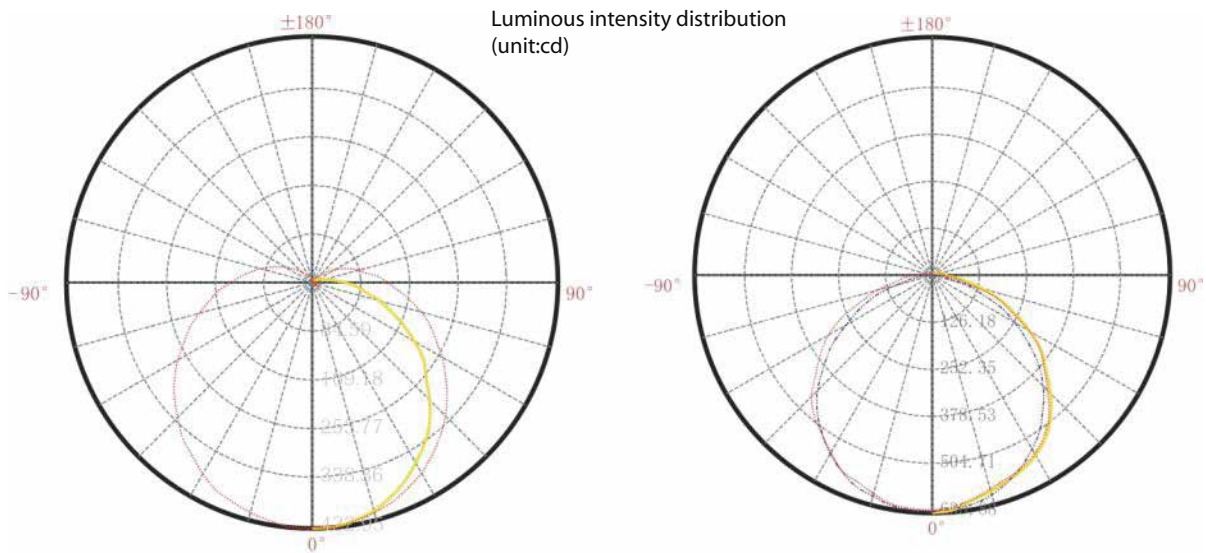
Size	A (inch)(mm)	B (inch)(mm)	C (inch)(mm)	D (inch)(mm)
8FT (FA8/R17D)	93.82" 2383mm	93.19" 2367mm	1.03" 33mm	1.14" 29mm

A smarter way to light up your business

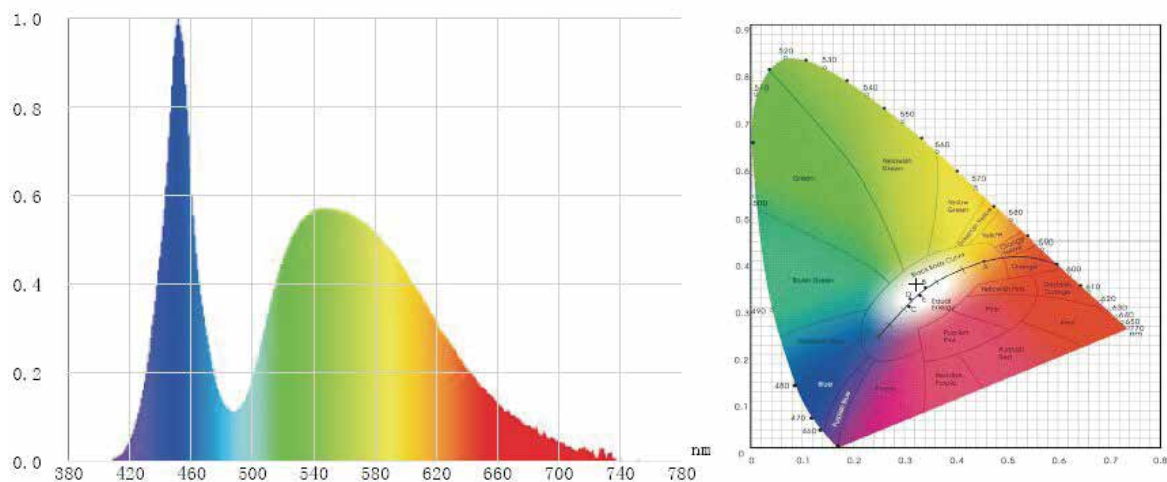
Specification

Part No.	Power	Input Voltage	Size	Input Current	PF	Light Efficacy	Ra	CCT
40W(FA8)	40W	AC100-277V	8FT	0.40A	>0.95	130lm/w	80	3000-6000K
40W(R17D)	40W	AC100-277V	8FT	0.40A	>0.95	130lm/w	80	3000-6000K

Testing Report



Spectrogram

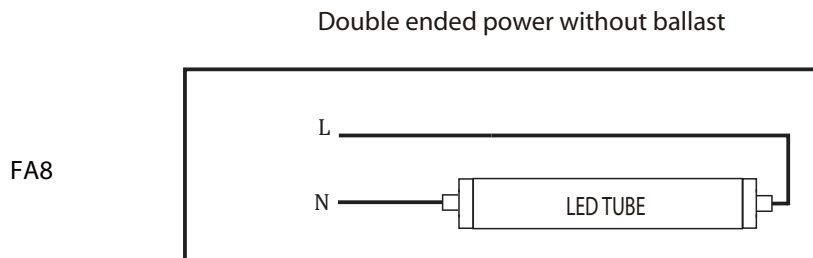


A smarter way to light up your business

Installation

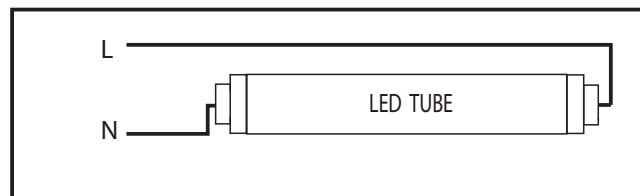
(1) Directline voltage(AC INPUT)

1. Turn off the electricity supply before installation.
2. Make sure to modify the circuit as follows.



3. Install the LED tubes in standard lamp holder.
4. After modification completes, then affix the Lamping Replacement Marking lable and cautionary label ,located this where visible duringre-lamping on the retrofitted luminaire .

R17D
Double ended power

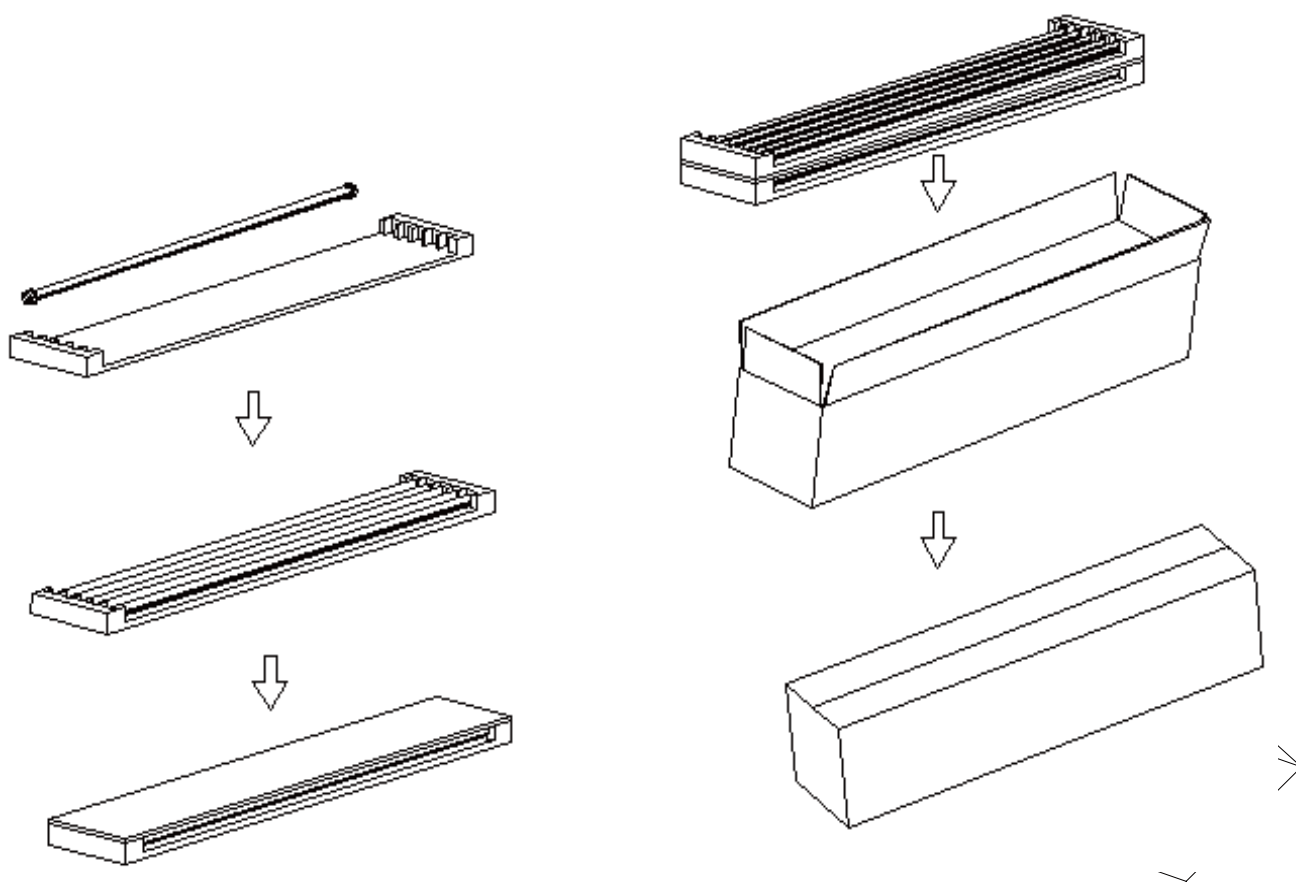


A smarter way to light up your business

Packing /weight

Part No.	Outer Carton Size (LxWxH)	Qty/Carton (pcs)	Net weight (kg)(lbs)	Gross weight (kg)(lbs)	20GP (QTY)	40GP (QTY)
40W(FA8)	(2460*240*100mm) (96.85"*9.45"*3.94")	10	0.48kg 1.06lbs	12kg 26.46lbs	3900	10180
40W(R17D)	(2460*240*100mm) (96.85"*9.45"*3.94")	10	0.48kg 1.06lbs	12kg 26.46lbs	3900	10180

Packing



A smarter way to light up your business

Note

- 1.The installation and maintenance must be completed by electricians or professionals.
- 2.Please cut off the power before installation and maintenance.
- 3.The fixture is not allowed to be covered by thermally insulating material.
4. Please keep away from the corrosive substance,and keep the fixture dry and clean.
5. Working temperature:-4°F~104°F,storage temperature:-22°F~140°F.